

Enclosed vibratory screens with 1 deck, types S1U-4NO and S1R-4NO

SCREEN APPLICATION

The SKAKO vibratory screens are freely oscillating constructions suspended on helical springs or mounted on a frame fixed firmly in the floor.

For environmental purposes the screen is enclosed with rubber sleeves at inlet/s and outlet/s. The screen is also provided with sealed maintenance doors at inlet/s and outlet/s as well as inspection doors on the side of the screen.

SKAKO vibratory screens are made in stainless steel or mild steel.

The screen surface, which is made as a mesh or perforated plate, is also available in stainless steel or mild steel.

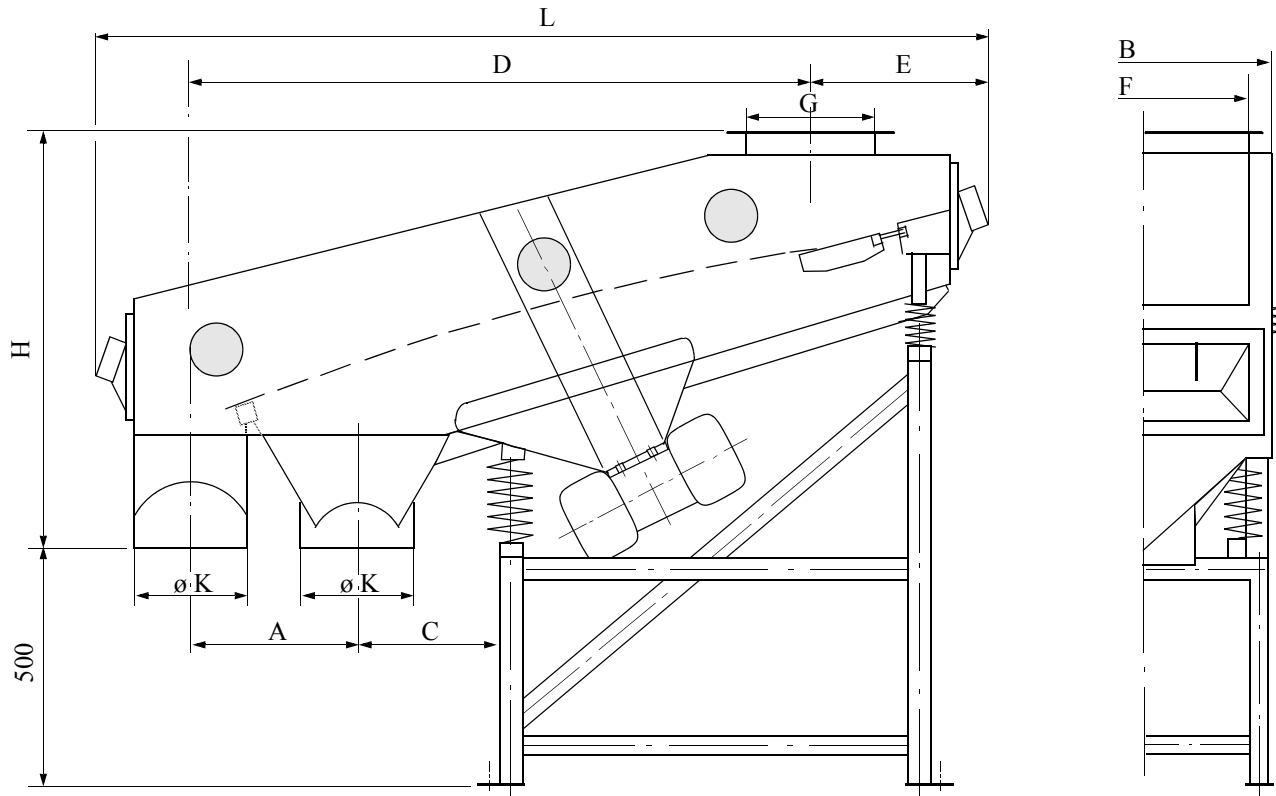
Drive unit: 2 motor vibrators or a mechanical vibrator driven by a standard A.C. motor.
Enclosure minimum IP55.

SCREEN CAPACITY

The screen capacity depends on the application, the characteristics of the material, the distribution and shape of particles as well as the screening accuracy.

Consistent material flow over the entire screen width is a condition for optimum exploitation of the screen area.

In order to offer the optimum solution for your application, please complete and return a copy of the questionnaire on the back of this specification.



Type	Net Dimensions	Vibrator Type	Power kW	* kg	Dimensions in mm									
					A	B	C	D	E	F Inlet	G Inlet	H	ØK	L
S1U050/0100-4N	500x1000	2xAX30-4	2x0.4	200	280	596	140	920	300	-	Ø200	630	133	1385
S1U050/0160-4N	500x1600	2xBX90-4	2x0.7	320	400	618	335	1450	400	510	300	950	256	2080
S1U050/0200-4N	500x2000	2xBX90-4	2x0.7	372	430	618	495	1830	400	510	300	1060	256	2460
S1U080/0160-4N	800x1600	2xBX90-4	2x0.7	435	435	918	340	1490	400	810	300	1000	256	2120
S1U080/0200-4N	800x2000	2xBX150-4	2x1.3	495	480	918	470	1880	420	810	300	1160	256	2545
S1U100/0200-4N	1000x2000	2xBX150-4	2x1.3	600	540	1118	370	1940	430	850	300	1240	306	2635
S1U100/0250-4N	1000x2500	2xCX200-4	2x1.3	750	605	1128	520	2420	430	850	300	1370	306	3110
S1U100/0320-4N	2x1000x1600	2xCX200-4	2x1.3	1020	790	1180	590	3000	465	850	300	1480	408	3780
S1U125/0320-4N	2x1250x1600	2cDX300-4	2x1.7	1200	790	1430	650	3000	465	950	400	1480	408	3780
S1R125/0400-4N	2x1250x2000	1xR35 530i	1x5.5	1650	915	1432	810	3780	470	950	400	1740	408	4565
S1U125/0400-4N	2x1250x2000	2xEX700-6	2x3.0	1730	915	1432	810	3780	470	950	400	1740	408	4565
S1R160/0400-4N	2x1600x2000	1xR50 1060i	1x7.5	2350	915	1782	810	3780	490	1300	400	1900	408	4600
S1U160/0400-4N	2x1600x2000	2xFX800-6	2x4.0	2460	915	1782	810	3780	490	1300	400	1900	408	4600

* Weight without stand



SCREENING QUESTIONNAIRE

MATERIAL SPECIFICATION

Name of material _____

Bulk density _____ Particle size mm _____

Angle of repose _____ Moisture content _____

Temperature _____

Additional material description

Abrasive _____ Corrosive _____

Hygroscopic _____ Cohesive _____

Hardness _____ Particle shape _____

Explosive material _____

Miscellaneous _____

FUNCTION

Handling Scalping _____ Dedusting _____ Separating _____ Dewatering _____

Screen material Stainless _____ Mild steel _____

Screen net material Stainless _____ Mild steel _____

Add. equipment _____

SCREEN CAPACITY

Screen analysis _____

Hourly charge m³ _____

Material passing through net _____ Screening accuracy % _____

Aperture size mm _____

POWER SPECIFICATIONS

Voltage _____ Frequency _____

INSTALLATION CONDITIONS

Sketch attached _____

Completed by COMPANY _____

NAME _____

TELEPHONE _____ FAX _____

DATE _____